

Fiber Drop Enclosure

Optical Fiber Protection Box & Repair Kit



Applications:

- Quick fiber installation for FTTH drop cable and MDU networks
- Demarcation point to install fiber optic cable splices or repair kit to reconnect damaged or severed drop fiber cables
- Great alternative to replacing long cable lengths



Features:

- Rigid, weatherproof thermoplastic housing
- Housing supports fusion splicing and SC connector bulkhead
- Direct bury, strand, wall or pole mounting
- Tone wire connection point for underground locating
- Fast repair kit for lack of fiber slack – identifiable with programmed OTDR

Standards:

- RoHS
- Reach
- GR-771

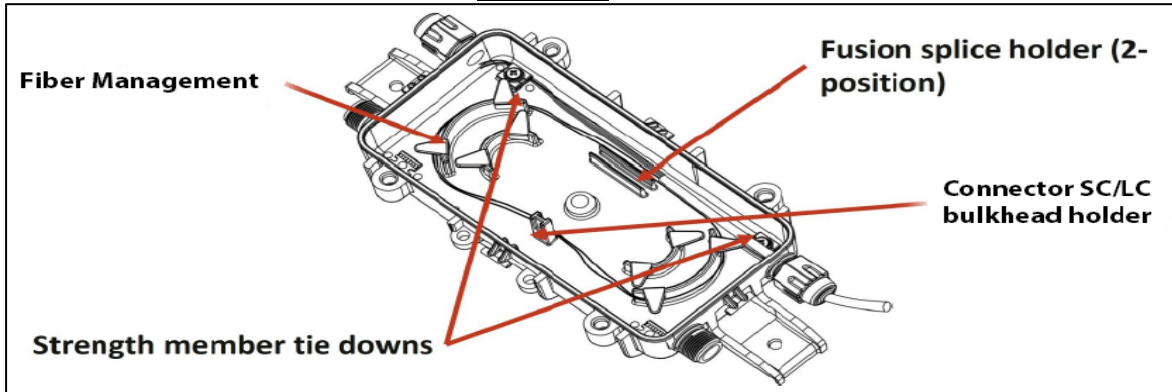
General Specifications

Parameter	Cable Enclosure	Cable Repair Kit
Capacity	<ul style="list-style-type: none">• Accepts one bulkhead adapter• Two single fusion splice capability	<ul style="list-style-type: none">• One bulkhead adapter• Two single fusion splice capability
Dimensions (Inches)	8.75 x 3.75 x 2.25	8.75 x 3.75 x 2.25 (x2)
Weight (Pounds)	0.6	2.1
Cable Ports	Ø3mm (Standard)	
IP Rating	IP65	
Compliance	Telcordia GR771	
Operating Temperature	-40°C to 75°C	

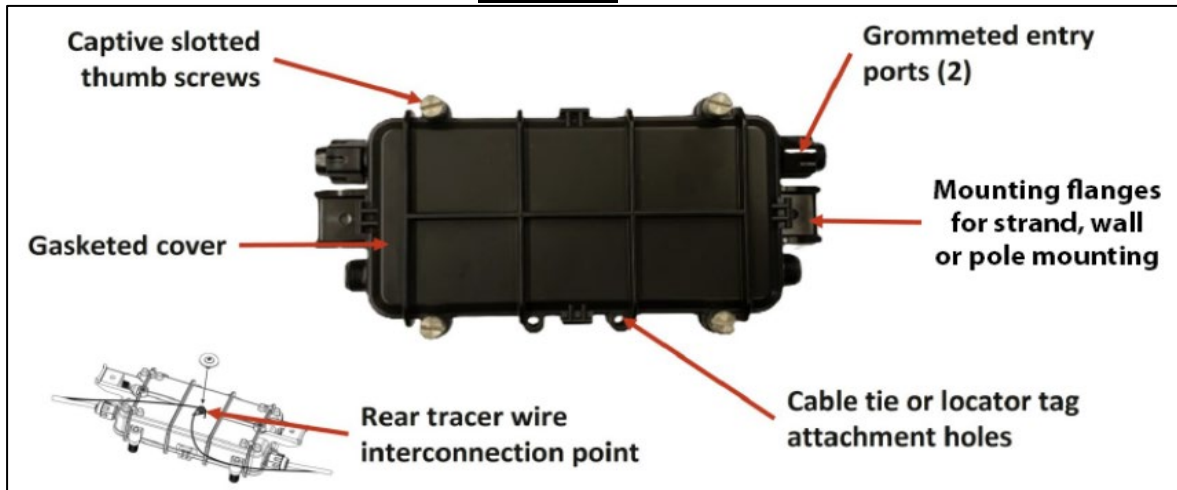
Fiber Drop Enclosure

Physical Design:

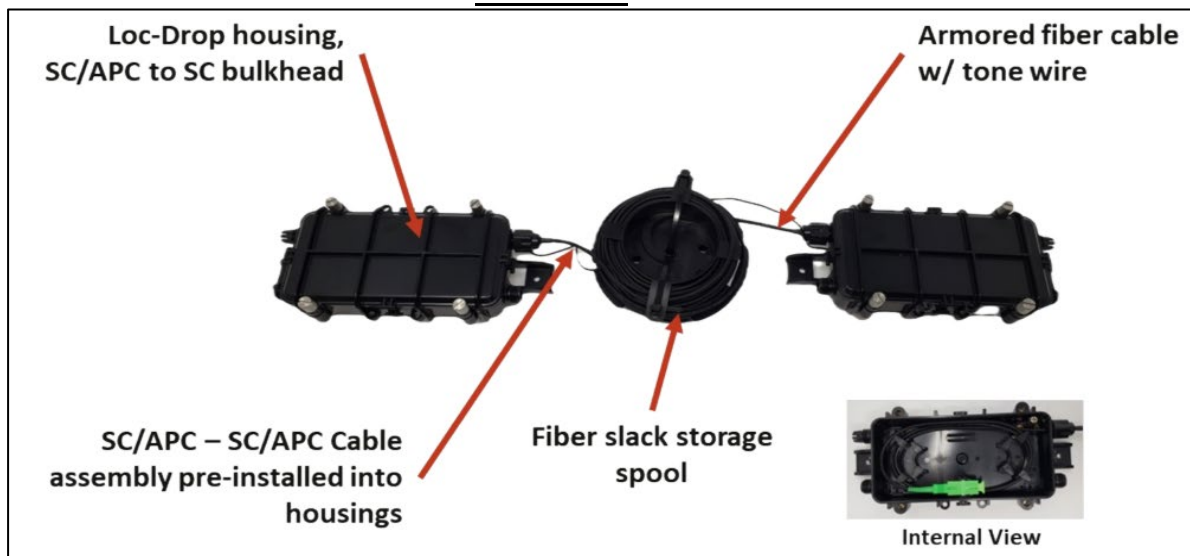
INTERIOR



EXTERIOR



REPAIR KIT



Fiber Drop Enclosure



Ordering Information

Part Number	Description
PRE-DROP-EN-L	Drop Cable Enclosure, with Large Entry Port Nuts/Oval Grommets for Flat Drop Cables. Or Small Hole Port Nuts/Round Grommets for Fast Access Drop Cables, Includes on SC Bulkhead Adapter (Green)
PRE-DROP-EN-S	Drop Cable Enclosure, Small cable Entry Ports for Fast Access Cable, Includes 2 Small Port Nuts & 2 Round Hole Grommets
PRE-DROP-REP-2SCAPC	Drop Cable Repair Kit, Includes 2 Enclosures with SC/APC-SC/APC Pre-installed 52' Micro-Armored Cable Assembly, 2 Simplex SC Adapters, 2 Sets Entry Ports/Grommets for Flat Drop or Fast Access Cable
PRE-DROP-SM-10	Strand Mount Brackets for Drop Cable Enclosures, 10 Pairs with Hardware