

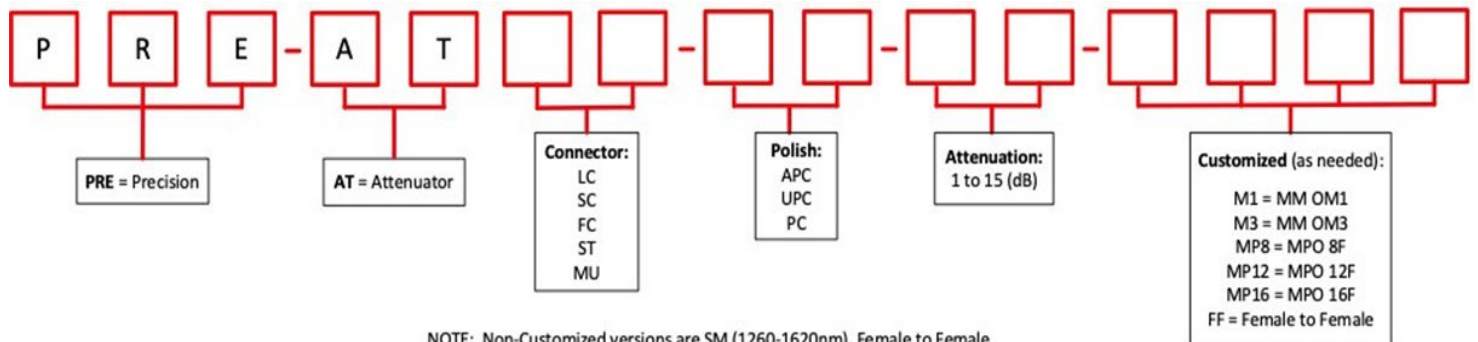
Fixed Optical Attenuators



Product Description:

- Fiber Optic Attenuators, Fixed Attenuation with a Variety of Connector Types
- 1260 to 1620nm Wavelength Range Singlemode, also Multimode Versions
- Precision Polishing and High Precision Fiber Optic Ceramic Ferrules
- Applications for CWDM, DWDM, Test Equipment, CATV Systems, Point to Point Systems, etc.

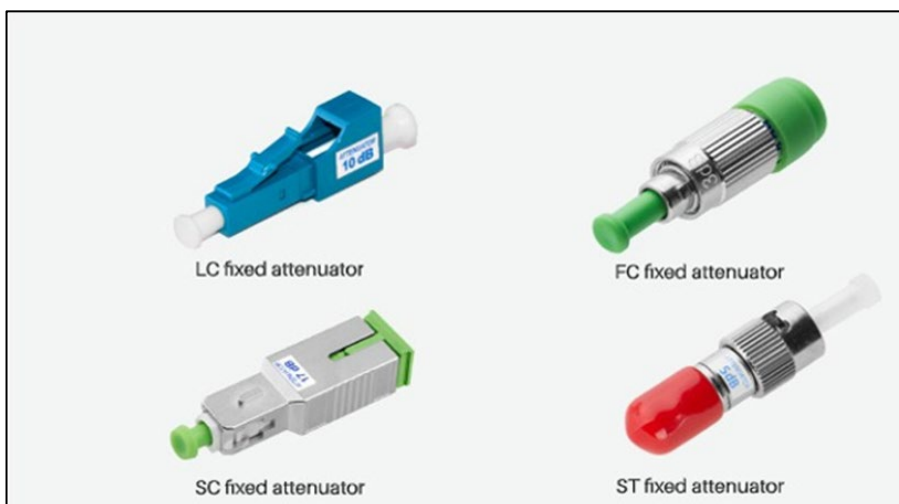
Product Ordering Information:



Part Number Examples:

Part Number	Description
PRE-ATLC-APC-10	LC, APC Female to Male Attenuator, 10dB
PRE-ATLC-UPC-15	LC, UPC Female to Male Attenuator, 15dB
PRE-ATSC-APC-3	SC, APC Female to Male Attenuator, 3dB
PRE-ATSC-UPC-20	SC, UPC Female to Male Attenuator, 20dB
PRE-ATLC-UPC-7-M3	LC, UPC Female to Male Attenuator, 20dB, MM OM3

Note: Part numbers are available in attenuation ranging from 1 to 20 dB



- SC/FC/LC Connector - APC or UPC polish
- ST/MU Connector - UPC polish

Fixed Optical Attenuators



General Specifications:

Parameters	Value	Unit
Attenuation Values	±1.5	dB
Operating Wavelength	1260~1620 (SM)	nm
Return Loss	UPC >55 APC >60	dB
Durability	500 matings	
Ferrule Type	Zirconia Ceramic	
Max Optical Input Power	200	mW
Operating Temperature	-30~75	°C
Operating Humidity	<95%	RH
Storage Temperature	-40 to 85	°C

Db Values	Attenuation Percentage
1 dB	21%
2 dB	37%
3 dB	50%
4 dB	60%
5 dB	68%
6 dB	75%
7 dB	80%
10 dB	90%
13 dB	95%
15 dB	96.8%
20 dB	97.6%