

# One-Click Cleaner Instruction Manual

## LW-FCL MU/LC

Thank you for choosing the *One-Click Cleaner MU/LC*. The *One-Click Cleaner MU/LC* is a *high-performance device designed for cleaning the ferrule end faces of MU/LC connectors*. Please read this instruction manual carefully before using the device, and make sure to keep this manual for future reference.

### 1. Safety Precautions

While our device is considered safe, improper usage or mishandling can still result in injury to others. The One-Click Cleaner **MU/LC** is specifically designed for cleaning **MU and LC connectors only**. We are not responsible for any damage that may occur if this device is used for purposes other than its intended application.

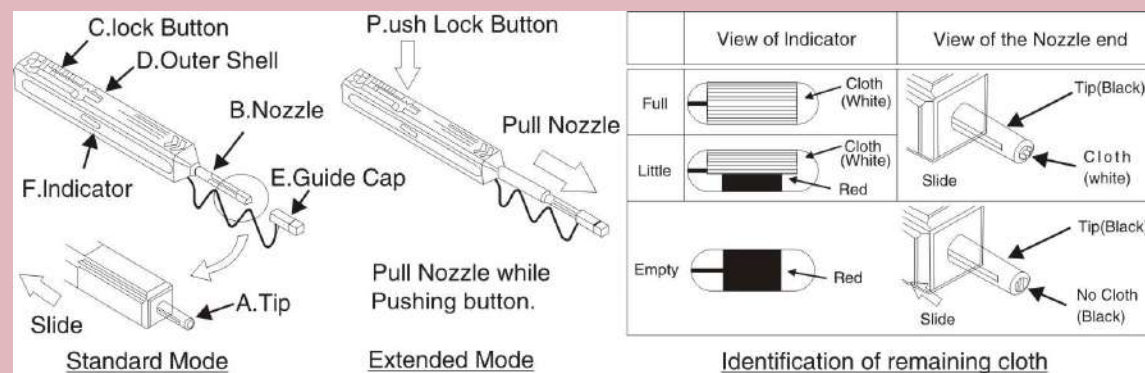
### 2. Notes on Usage

- Do not** attempt to disassemble, as this can cause damage to the device.
- Do not** re-use the cleaning cloth, as this will eliminate its cleaning ability.
- Do not** touch the cleaning cloth, as this will cause contamination.
- Do not** pull on the cleaning cloth; use only the device body.
- Do not** use this cleaning cleaner when the cloth is empty, as this can cause damage to the connector.

### 3. Notes on Storage for Extended Periods

**Do not** expose the device to direct sunlight, high temperature or high humidity. The cover on the guide cap should be closed at all times when the device is not in use.

### 4. Device Construction

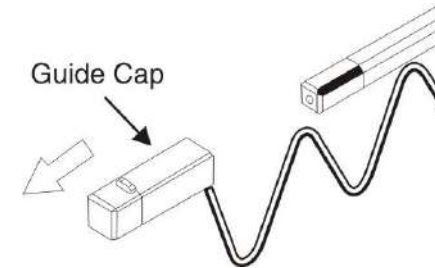


NO	Part Name	Function
A	Tip	Lead the cleaning cloth to the optical connector end face.
B	Nozzle	Lead tip to the optical connector end face.
C	Lock Button	Push the button to extend and contract the nozzle.
D	Outer Shell	Push the outer shell to clean the connector.
E	Guide Cap	Acts as dust cap or cleaning adaptor for connector plug.
F	Indicator	Provides indication of remaining cleaning cloth

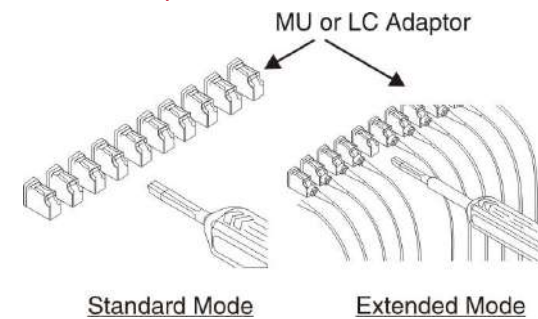
### 5. Applications

<Connector inside adaptor>

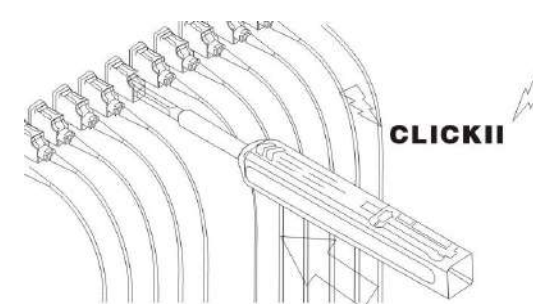
1. Remove Guide Cap from the device



2. Insert tip of cleaner into MU/LC Adaptor



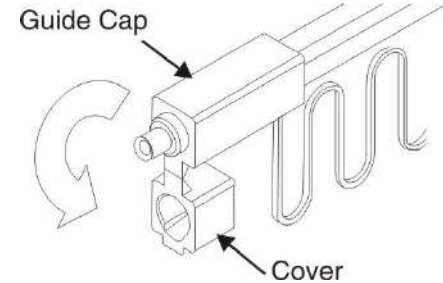
3. Push the Outer Shell to start cleaning the MU/LC connector end face. A "click" sound indicates end of cleaning process. Close the cover after use.



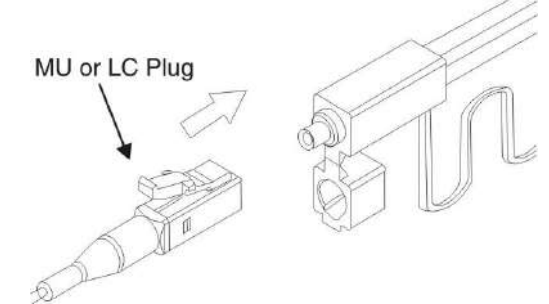
Be careful **not to slant** the One-Click Cleaner while inserting it into the adaptor. **Avoid applying excessive force during insertion**, as this may cause damage to both the connector and the One-Click Cleaner MU/LC. If you encounter resistance while pushing the outer shell, remove the One-Click Cleaner from the adaptor and ensure that there are no large debris particles obstructing the cleaning process.

<Connector plugs alone>

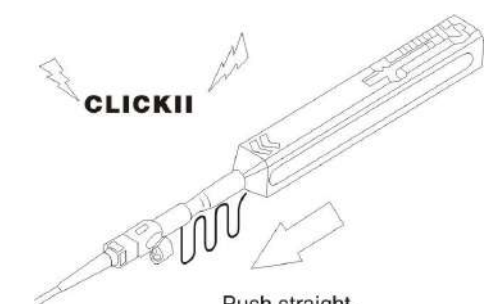
1. Open the Cover on the Guide Cap



2. Insert MU/LC connector into the Guide



3. Push the Outer Shell to start cleaning the MU/LC connector end face. A "click" sound indicates end of cleaning process. Close the cover after use.



Be careful **not to slant** the MU/LC connector while inserting it into the guide cap. **Avoid applying excessive force during insertion**, as this may damage both the connector and the One-Click Cleaner MU/LC. If you encounter resistance while pushing the outer shell, remove the One-Click Cleaner MU/LC from the connector and ensure there are no large debris particles obstructing the cleaning process.