

MDU Wallmount Enclosure

Large 18-LGX Capacity



P/N WM18LG



Applications:

- Multidwelling unit deployment for small to large buildings, multiple floors
- Full distribution for CATV, telecommunications, and high speed data service/networking needs
- Terminal splice & patch drop cable FTTx solutions

Features:

- Large capacity for up to 18 LGX devices with ample room for fiber splicing and slack storage
- Modular design fully compatible with 1x32 & 1x64 splitter and DWDM modules
- Adjustable center partition to allow needed space at each side for device install, splicing, and fiber management
- Four sealable cable port entries at both top and bottom
- Removeable dual doors offering maximum access to the enclosure interior
- Separate access for patching and splicing with security lock option
- Customizable for specific network requirements
- Rigid steel construction, textured powder coat finish

Standard Accessories:

- Enclosure with Cable Grommets
- Splice Partition with Security Lock
- (2X) Ribbon Splice Trays
- (1X) 1x32 PLC Splitter, LGX
- (1X) 1x64 PLC Splitter, LGX
- Cable Management Rings
- Ground Lug
- Cable Ties, Velcro Strap

Optional Accessories:

- 8-Ch or 20-Ch DWDM's
- Additional Splitters
- Pre-terminated Drop Cable
- Splice Connectors
- Pressure Valve Kit
- Grounding Kit

Fiber Optic Splice Closure

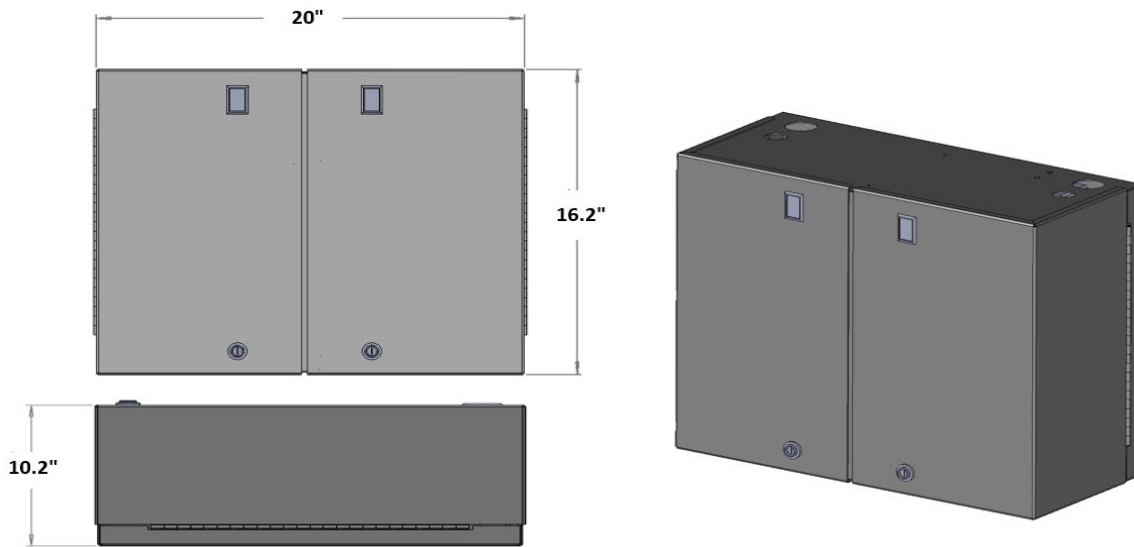
General Specifications

Parameter	Specification
Material	1.5mm Thick Steel
Color/Finish	Dark Gray Powder Coat
Adapter Plate	18-LGX Capacity
Fiber Capacity	192F (SC) or 384F (LC)
Outer Dimensions	16.2 x 20 x 10.2 inches (HxWxD)
Assembly Weight	23.2 lbs
Operating Temperature	-40° □ +65°C
Cable Entry	(4X) Ø1" and (4X) Ø1.5" with Grommets
Installation	Panel Mount
Security	Optional Key Lock

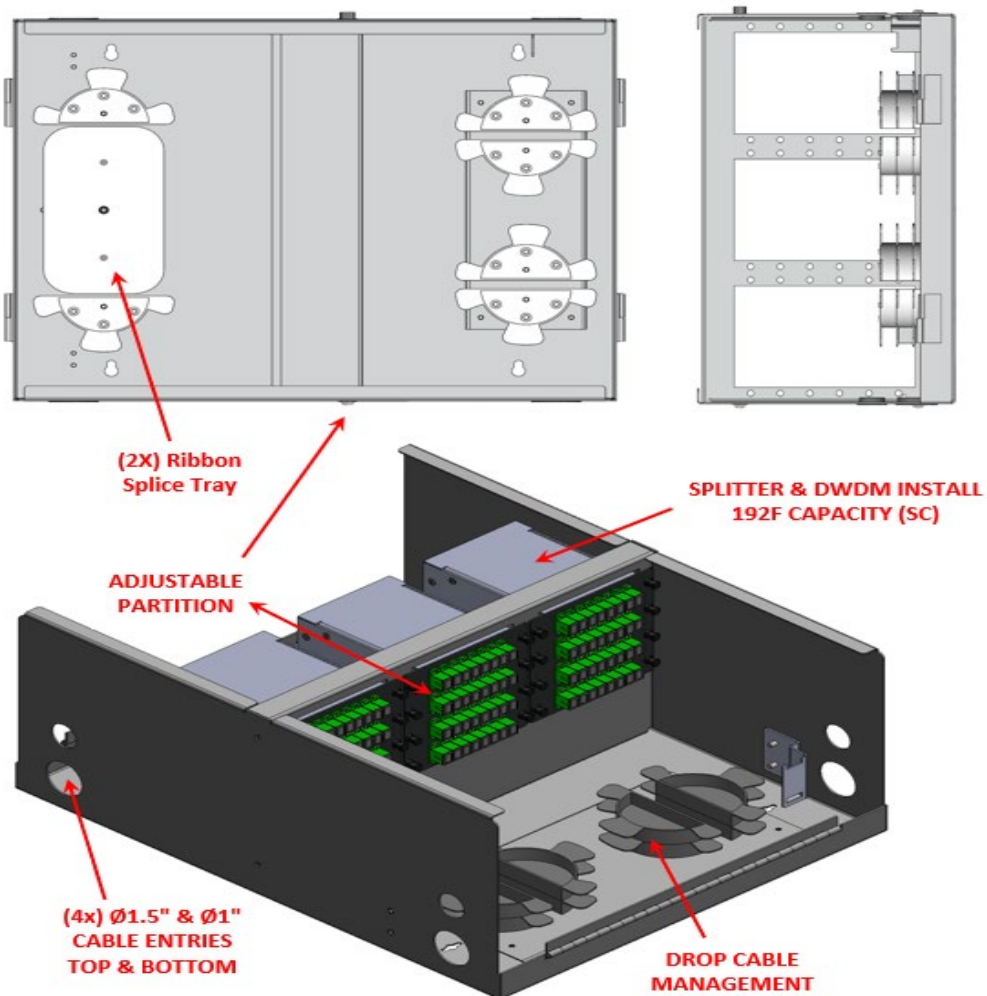
Fiber Optic Splice Closure

Physical Design:

Overall Size



Inside View



Fiber Optic Splice Closure

Compliance Standards



Manufactured in the United States of America in strict adherence of the Trade Agreement Act (19 U.S.C. & 2501-2581) and the Buy American Act (4 U.S.C. & 10a-10d)