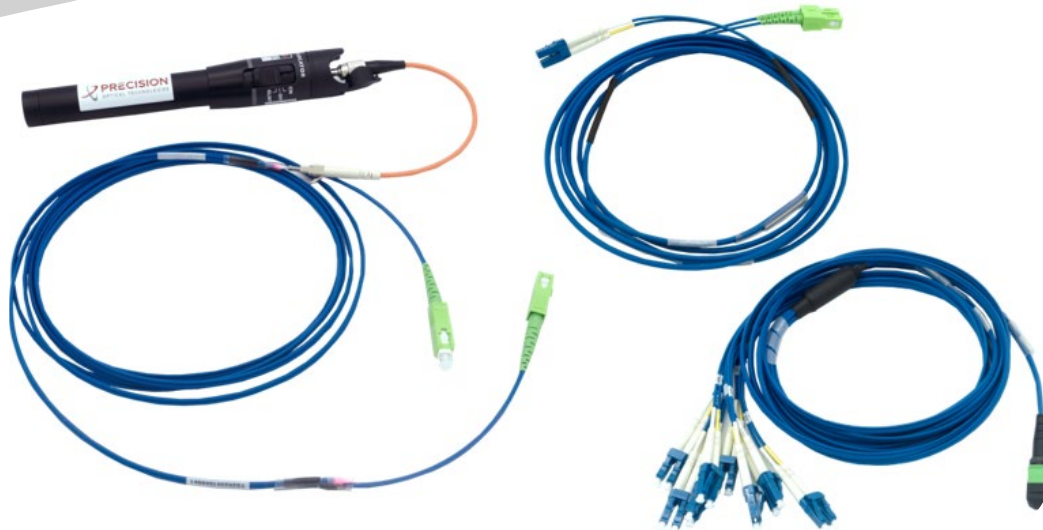


Traceable Fiber Patch Cords



Product Description:

The Traceable Fiber Patch Cord is an effective solution for eliminating interconnect errors in dense environments where cable congestion can create a challenge in tracing patch cords and finding the other end of a cable. The traceable light identification will eliminate accidentally unplugging or moving the wrong jumper. Significant areas to use this product includes Data Centers, Central Offices, Mobile Switching Centers, Telecommunication Closets, Active and Passive Fiber Distribution Hubs, and Multi-Dwelling Units (MDU). The Traceable Fiber Patch Cord utilizes a positive light indication to quickly identify the end of the assembly. This is made possible by using a piece of cable with an extra plastic fiber structure for identifying.

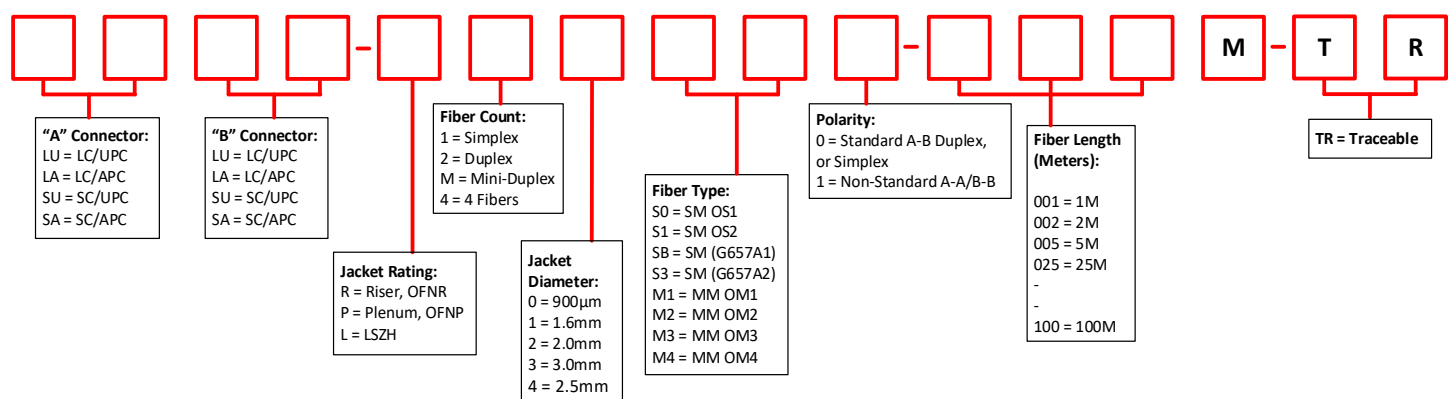
Product Features:

- Compact jacket design minimizes cable pile up
- High intensity red LED light source used for identification
- Environmentally stable, low-insertion loss, minimal back reflection
- Available in a wide variety of connector types and lengths

Standards:

- TIA/EIA-568.3-D
- EIA/TIA-604 Series
- IEC-61754 Series
- IEC-61753-1
- GR 326 Core

Product Ordering Information:



Traceable Fiber Patch Cords



Part Number Examples:

Part Number	Description
SASA-R12S10-005M-TR	SC/APC-SC/APC, Riser-rated, Simplex, Ø2mm Standard SMF (OS2), 5 Meter Patch Cable, Traceable
SASA-L12SB0-006M-TR	SC/APC-SC/APC, LSZH, Simplex, Ø2mm SMF Bend Insensitive (G657A1), 6 Meter Patch Cable, Traceable
LUSA-L21S10-003M-TR	LC/UPC-SC/APC, LSZH Jacket, Duplex, Ø2mm Standard SMF (OS2), Standard A-B Polarity, 3 Meter Patch Cable, Traceable
EFALU-LF3S1Q-003M-TR	MPO/APC Female Elite-8x LC/UPC Duplex, 16 Fibers, LSZH SMF, Ø3.0mm breakouts, Type B QSFP Configuration, 3 Meter Patch Cable, 24-inch breakout, Traceable

Light Source:

Part Number	Description
PRE-FVFL-15KM	Mini Fiber Visual Fault Locator, 30mW (15Km max range), 2.5mm Universal Adapter, Rechargeable
PRE-FVFL-JUMPER	Mini Jumper, FC/PC-LC-PC, Simplex, MM, Ø3mm, 0.2M Cable

**NOTE: Mini Jumper should be used with VFL to mate with fiber sleeve*

General Specifications:

Parameter	Description
Fiber Count	1 ~ 16
Fiber Mode	Single Mode: G.652 / G.657 Multimode: OM1 / OM2 / OM3 / OM4
Fiber Brand	SMF-28® Ultra Optical Fiber / G657A Corning ClearCurve® Multimode Fiber
Cable Jacket Material	Low Smoke Zero Halogen (LSZH) PVC
Cable Jacket Ratings	Riser (OFNR) Plenum (OFNP)
Cable Jacket Color	G.652 / G.657: Yellow / Blue OM1 / OM2: Orange OM3: Aqua OM4: Aqua / Magenta Customized
Operating Temperature	-20°C to +70°C
Storage Temperature	-40°C to +85°C

Technical Specifications:

Properties	Single Mode	Multimode
Insertion Loss (dB)	UPC ≤ 0.2; APC ≤ 0.3	PC ≤ 0.2
Return Loss (dB)	UPC ≥ 50; APC ≥ 60	PC ≥ 20
Wavelength (nm)	1310 / 1550	850 / 1300
Durability	≤ 0.3 (dB) Typical Change, 500 matings	

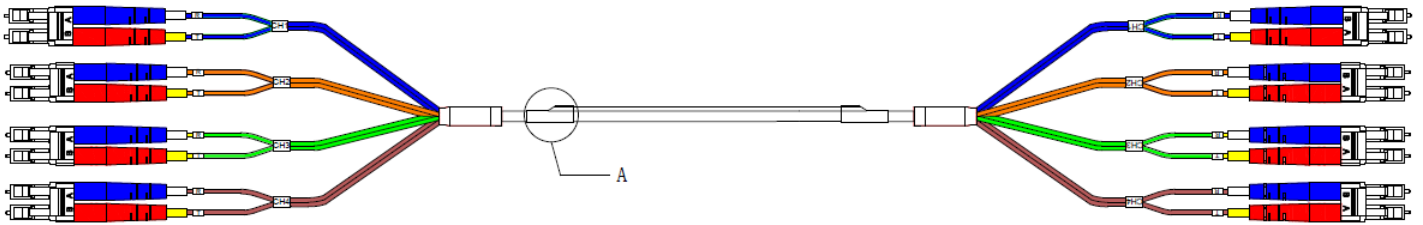
Traceable Fiber Patch Cords

Note 1: IL&RL Test Method; IEC61300-3-4 (Insertion Method B) & IEC61300-3-6

Technical Drawings:



LC/UPC-LC/UPC Simplex SMF Traceable Patch Cord



LC/UPC-LC/UPC SMF, 8 Fiber Traceable Patch Cord